



E-CLASSIC[®]
TITANIUM SERIES
Outdoor Wood Furnace



E-Classic E 1450
OVER
90%
EFFICIENT
Based on EN 303-5

TOTALLY RENEWABLE HEAT SOURCE

The most advanced, efficient outdoor wood furnace on the market today.

 Look for exclusive E-Classic features.

CentralBoiler.com

There is no better way to heat with wood.

Since 1984, Central Boiler has been developing better designs to heat with wood. Today, Central Boiler is the largest outdoor wood furnace manufacturer because the improvements they continue to make give customers more efficient, cleaner burning and more cost-effective furnaces.

PEACE OF MIND Keep the fire outside and it eliminates the traditional indoor wood stove hazards. Burning wood indoors is inherently dangerous as there is a threat of a fire and carbon monoxide buildup.

IMPROVED INDOOR ENVIRONMENT The mess stays outside with a Central Boiler outdoor wood furnace. Anyone that has burned wood inside is familiar with the smoke, ashes, odors and soot that often occur. In addition, bringing wood indoors can bring in unwanted bugs, bark and dirt.

FREEDOM TO DO MORE Those that choose to heat with wood often do so because of the cost savings. With a Central Boiler outdoor wood furnace, it can take less wood to heat more space, so no matter what your costs and time are associated with acquiring your wood supply, using less wood means you'll have more time (plus save more money!) to do other things.

STABILITY Wood is usually sourced locally. Conventional heat sources like propane, natural gas and fuel oil will always be susceptible to price fluctuations and are irreplaceable fossil fuels. Historically, the price of electricity trends only upward.

SUSTAINABILITY Harvesting wood with sustainable forestry practices helps to maintain a healthy ecosystem for wildlife habitats, aesthetics, soil and water quality, native biological diversity, and recreational opportunities. It can also significantly reduce the risks of costly wildfires.

Heating with wood...

"It's the right thing to do!"



What do you currently pay for heat?

Cost per 100 million Btu

Cost per cord of seasoned red oak	\$	x	6.61	=	\$	Cost of fuel annually
Cost for one gallon of fuel oil	\$	x	892.9	=	\$	Cost of fuel annually
Cost for one therm of natural gas	\$	x	1250	=	\$	Cost of fuel annually
Cost for one gallon of propane	\$	x	1359	=	\$	Cost of fuel annually
Cost per kilowatt of electricity	\$	x	29300	=	\$	Cost of fuel annually

Appliance efficiency will affect annual fuel cost. Water heater savings up to an additional \$1200 per year.

PRESERVES WILDLIFE HABITAT



Harvesting wood has a pruning effect on forests – planting new trees ensures wildlife will have a healthy habitat.

SOIL AND WATER QUALITY



Reforestation reduces erosion risks and protects watersheds that are a source of the water we drink and use.

AESTHETICS AND RECREATION



Sustainable forestry makes more room for new and healthier growth through reforestation.

REDUCES FOREST FIRES



By harvesting old and dead trees that can easily burn, it can significantly reduce the risks of costly wildfires.

So advanced, it's simple.

How a Central Boiler outdoor wood furnace works.

A Central Boiler outdoor wood furnace burns wood to heat water. The heated water is circulated through insulated underground pipes called ThermoPEX to the buildings being heated. Heated water can transfer its heat energy by direct circulation or by moving through one or more heat exchangers, or both.

CIRCULATION The furnace contains water that surrounds the furnace firebox and heat exchanger. This heated water is circulated to buildings through insulated underground pipes which is a highly efficient way to move heat over distances.

INTEGRATION Central Boiler outdoor wood furnaces are designed to work with your existing heating system. Water-to-air or water-to-water heat exchangers or direct circulation conveys the heat into the structure's forced-air furnace, radiant baseboard or radiant floor heating system. This allows you to control the heat simply with your thermostat.

UNLIMITED HOT WATER When you install a heat exchanger on your domestic water heater, you can enjoy unlimited hot water and the savings when you turn your water heater off.

HEAT MULTIPLE BUILDINGS Unlike an indoor wood stove, a Central Boiler outdoor wood furnace has the ability to heat multiple buildings such as a house, garage, workshop, shed, greenhouse or barn. It can even be used to heat a swimming pool or hot tub.

LOCATION The Central Boiler outdoor wood furnace is located outside, typically 30 to 200 feet (but as far as 500 feet) away.

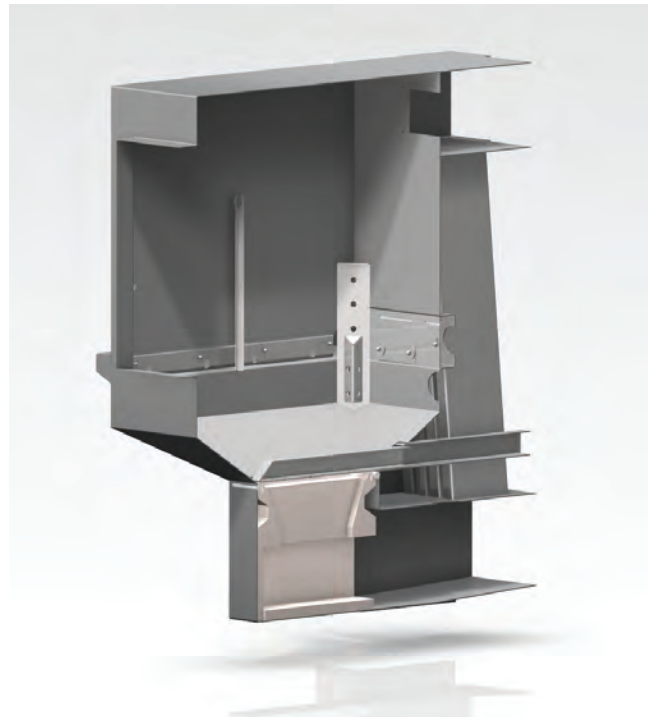
Installation is a breeze.

Connect the piping and heat exchangers to your existing heating system and the Classic Edge is ready to go to work.

Installing your Central Boiler outdoor furnace is easier than you might think. Many customers choose to install their own furnace because the installation can be easily completed using the installation manual. Authorized Central Boiler dealers have all the supplies and accessories you need for installation and maintenance. All of our dealers can provide you with information regarding your installation, and most dealers can even handle the entire installation for you.

Find additional information about how outdoor furnaces work, installation scenarios, and more at CentralBoiler.com

Smart features designed with you in mind.



E-Classic Titanium Series firebox cutaway view

STAINLESS STEEL FIREBOX

Constructed of titanium-enhanced stainless steel, the firebox has superior corrosion resistance and excellent heat transfer performance.

**Central Boiler recommends burning seasoned wood when possible because dry wood burns better and provides more energy for heating your home. You'll burn less wood, saving you more money and time. That is, after all, what you want your outdoor furnace to do.*

Actual burn times vary based on wood types, moisture content, heat load and ambient temperature.

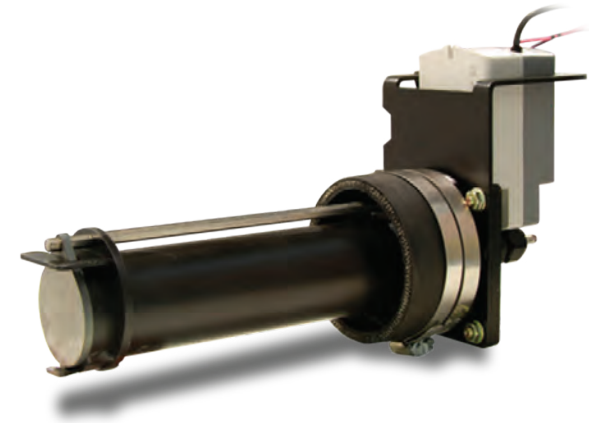


Convenient operation and choices to fit your lifestyle.

TIME SAVING OPTION

Never start a fire manually again! The optional Gas-fired Wood Ignition Kit is easily installed in minutes without modifications and gives you the convenience of easy push-button lighting of the wood with the added convenience of automatic relighting if needed. The propane burner is standard. A natural gas conversion kit is available. Kit is pre-assembled and easy to install no wiring needed.

Available for all E-Classic Ignition Ready (IR) models, the Gas-fired Wood Ignition Kit is available from your Central Boiler dealer.



E-CLASSIC®
TITANIUM SERIES



EASY OPERATION

Standard on all E-Classic models, the FireStar II combustion controller monitors all functions of the furnace, optimizing the gasification process by automatically adjusting the primary and secondary air for a cleaner and more efficient burn.

View operational information and receive text alerts on your smartphone.

FIRE STAR™ XP with E-Link Technology

IT'S EASY TO STAY CONNECTED

FireStar keeps you in constant contact with your Central Boiler furnace if you're away. It can even tell you when to add wood. View operational information and receive text alerts on your smartphone.

Stay connected with a limited-time complimentary FireStar subscription. Phone not included. Requires data plan, wireless router and internet to enable remote access.

The optional FireStar XP is easy to install and configure.

Wireless outdoor version shown. Also available as desktop or wall-mount version.



INSULATED REAR ACCESS PANEL

This panel swings open giving you full access to the Reaction Chamber door, power disconnect and pumps, all from one location. That makes installation and maintenance convenient and easy. The insulated panel keeps the heat in and the cold out, which preheats the combustion air and makes the furnace more efficient.



Live FireStar XP Demo at CentralBoiler.com

Engineered to the highest standards...ours.

A Ultimate Control

The **FireStar® combustion controller** monitors all functions of the furnace and optimizes the gasification process with any wood type for a cleaner, more efficient burn. Capable of data collection with the ability to communicate with other devices, the FireStar provides easy operation of the furnace with just the touch of a button.

B Less Maintenance

The **Xtract® heat exchanger** allows you to get the most heat out of your wood. It is designed to optimize the transfer of heat from the extremely hot gases to the water. The vertical design of the heat exchanger minimizes the amount of maintenance.

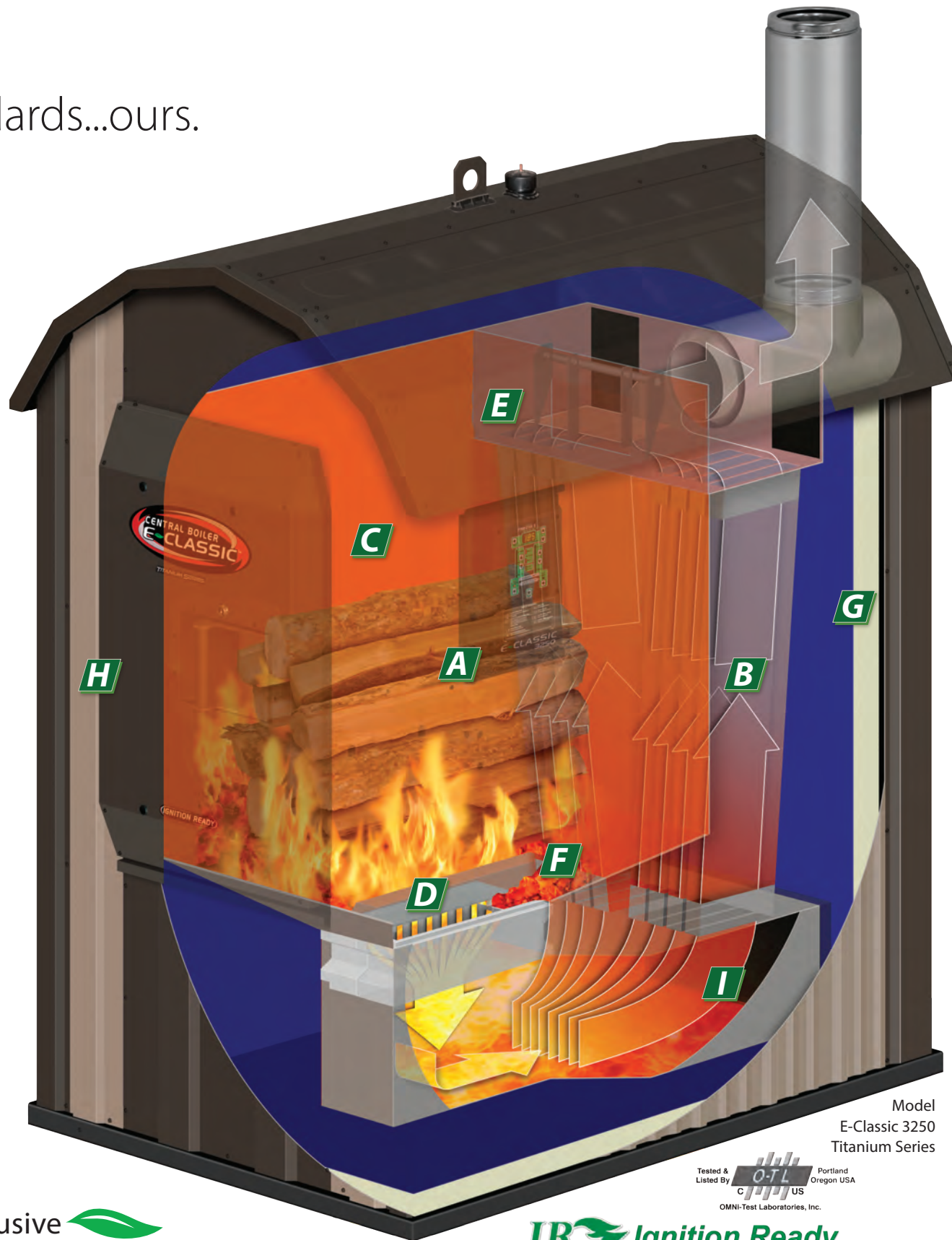
C Extended Burn Times

Constructed of titanium-enhanced stainless steel, the firebox is extremely resistant to corrosion. This allows loading the furnace for extended burn times when needed and can burn wood that is less than perfectly seasoned.

D Performance

Patented **air charge tube** adds air in all the right places to aid in the combustion process and keeps the coal bed from falling through.

Comparing Insulation		
	Urethane	Fiberglass Batt
Waterproof	✓	
Airtight	✓	
Effectively covers all surfaces	✓	
Maintains R value	✓	
Higher R value	✓	
Doesn't compress	✓	



Model
E-Classic 3250
Titanium Series

Tested & Listed By **O-T-L** Portland Oregon USA
OMNI-Test Laboratories, Inc.

IR Ignition Ready

Exclusive  E-Classic features.

Certified Clean Burning

E Operational Convenience

Bypass Door allows you to redirect the exhaust before opening the firebox door. The **Bypass Door Alarm** reminds you to close the bypass door after you have closed the firebox door for efficient operation of your furnace.

F Easy Ignition Option

The optional **gas-fired wood ignition** takes the work and worry out of lighting a fire. With just the push of a button, the power ignition will light the fire. It will also automatically relight the fire if needed, even when you are away from home. It is just that easy.

G H Easy Loading

Urethane foam insulation and the **triple insulated firebox door** give you the best energy savings, even when the conditions outside are at their worst. Spray-on urethane is the ultimate airtight, waterproof insulation that locks the heat in to reduce wood usage, even at temperatures of -35°F or colder. It effectively covers all surfaces, prevents condensation, maintains its high R-value, and won't settle or compress over time.

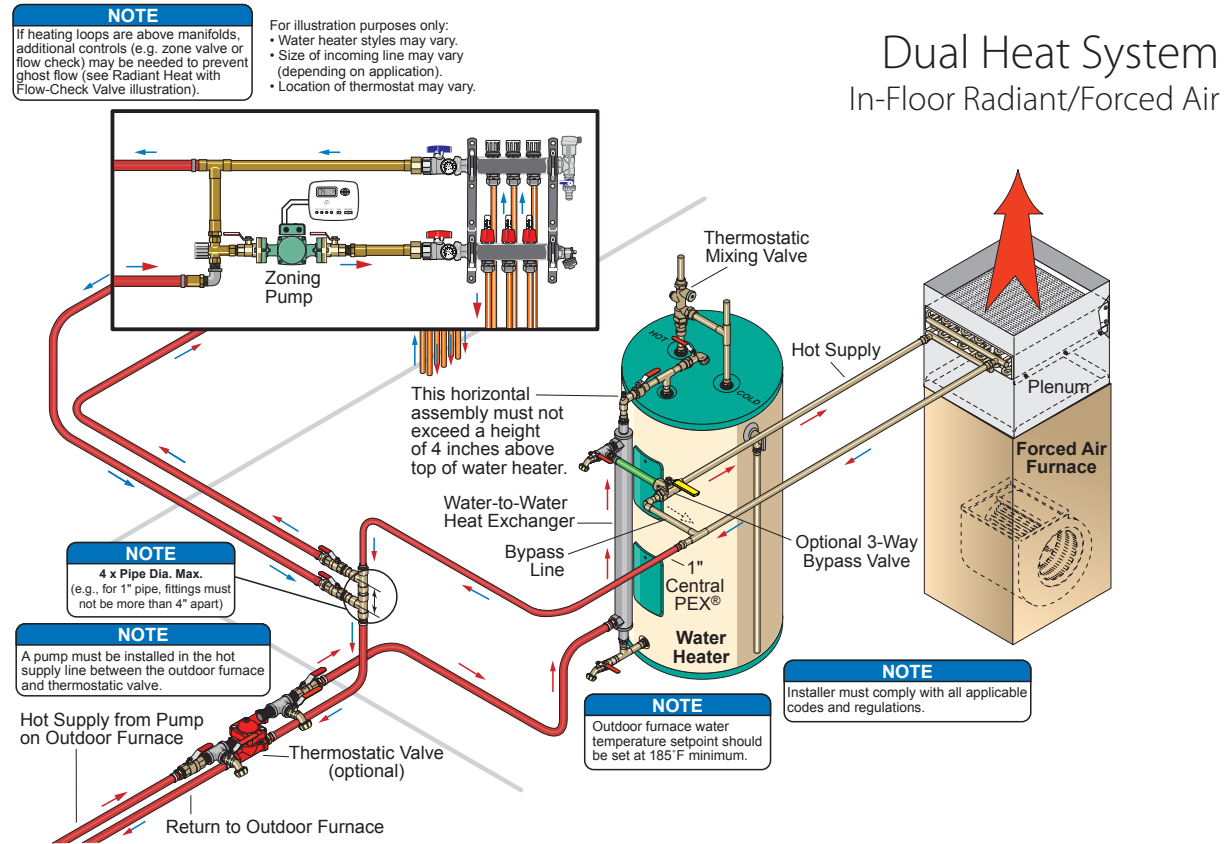
I High Efficiency, Low Emissions

Final combustion takes place as these gases move downward through the **Fusion Combustor** to the **Reaction Chamber** where extremely high temperatures aid in complete combustion. This entire process results in high efficiency and extremely low emissions.

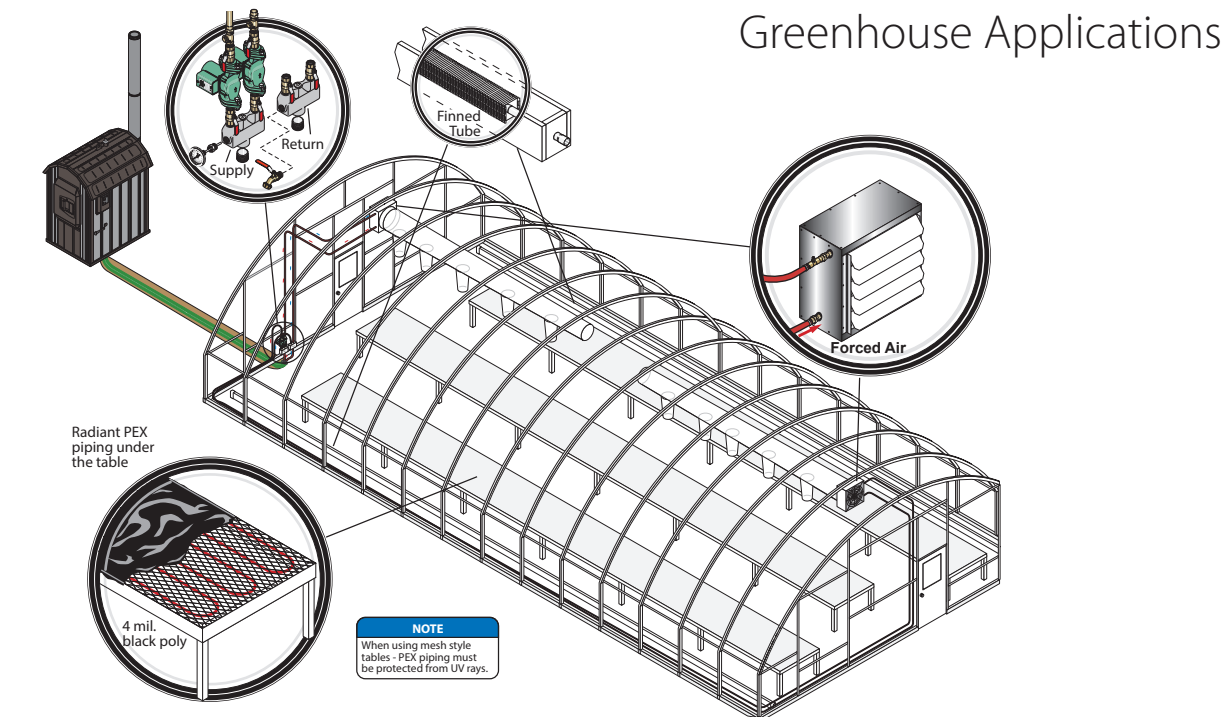
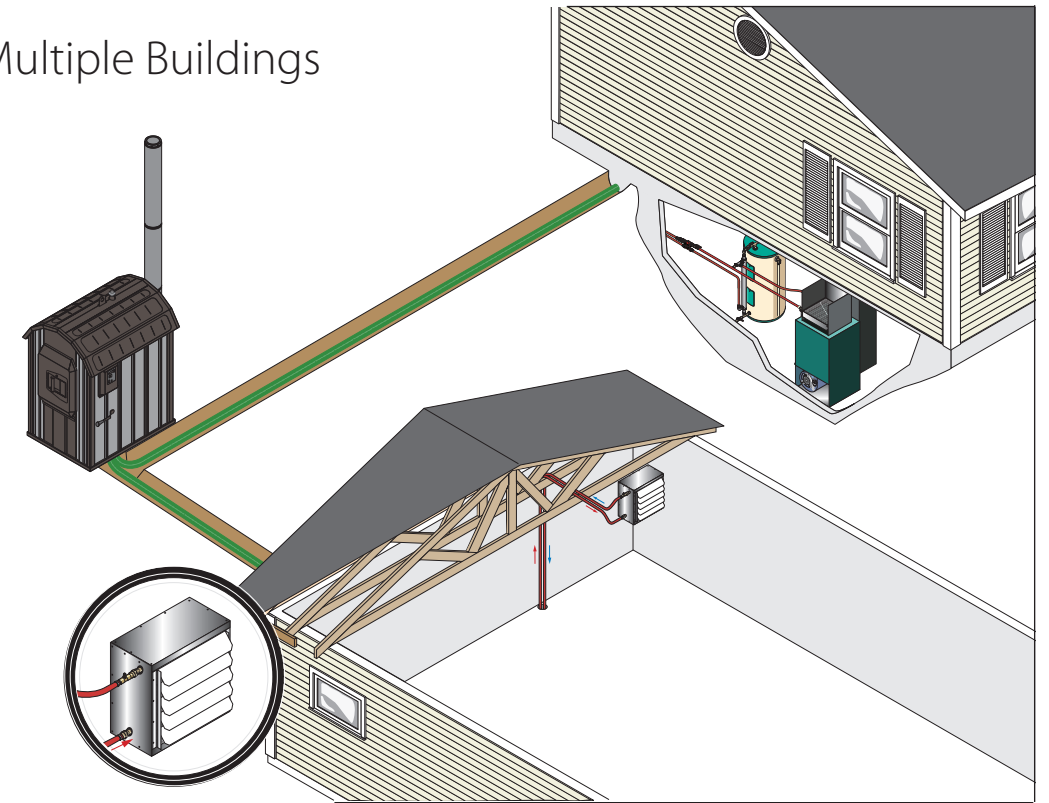


Central Boiler's Research and Development department is home to one of the most complete state-of-the-art testing laboratories in the industry. Since 1984, its goal has been to develop, engineer, test and refine a wide range of quality heating products to ensure Central Boiler quality, performance and value are in every outdoor furnace manufactured.

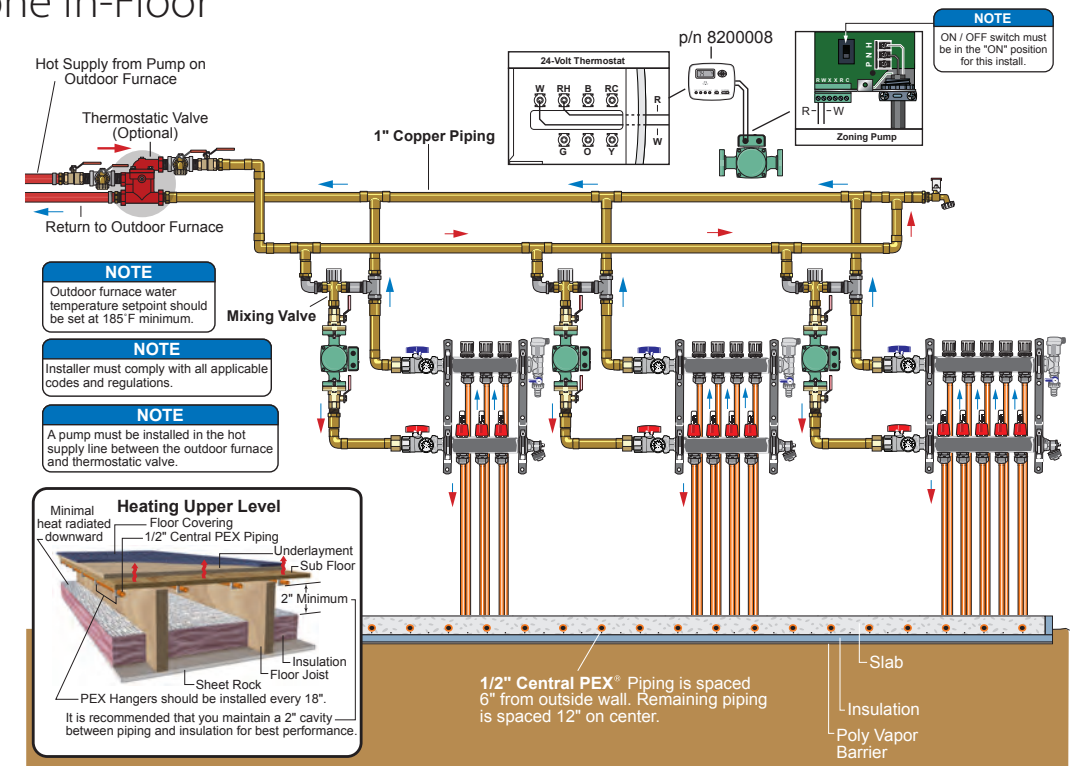
Sample Applications



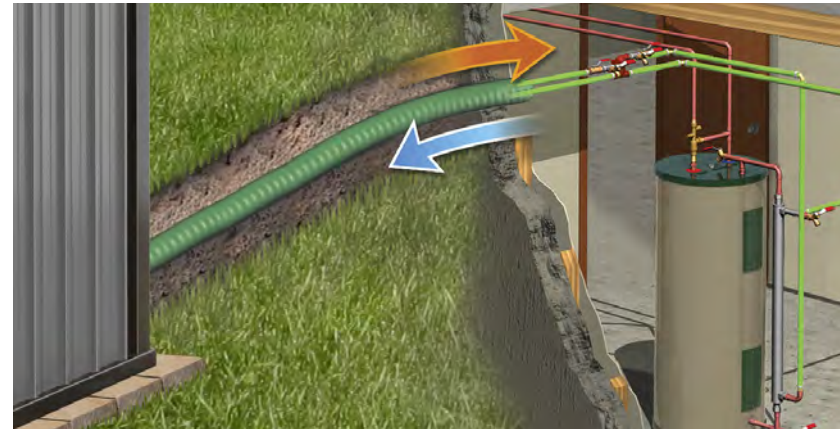
Heating Multiple Buildings



Multi-Zone In-Floor



Find more applications at CentralBoiler.com



Choose ThermoPEX. Because performance matters.

Choosing the best insulated piping system for your outdoor furnace is imperative if you want to lower heat loss and reduce the amount of wood you'll burn. The ThermoPEX insulated piping system from Central Boiler is a proven system that saves energy and maximizes the efficiency of your outdoor furnace.

ENERGY EFFICIENT – ThermoPEX saves energy and maximizes efficiency. The thick waterproof jacket keeps moisture out and the inner urethane insulation locks the heat in. Greater system efficiency maximizes the delivery of heat from each pound of wood so you will burn less wood compared to a system using inferior insulated piping.

RELIABILITY – ThermoPEX is a proven, time-tested insulated piping system.

FLEXIBLE AND INSTALLS FAST – Easy to handle and easy to install, requiring only a narrow trench approximately a foot deep.



IN A HURRY? Some ThermoPEX can be UPS shipped - see dealer for details.



Central Boiler authorized system parts and accessories

For the maximum performance and life of your outdoor furnace, always insist on using Central Boiler authorized system parts and accessories.

Your Central Boiler dealer can provide you with a complete selection of parts and accessories to simplify the installation and maintenance of your system.

To locate your nearest dealer for parts, pricing or technical information, use the Dealer Locator at CentralBoiler.com.

Download the parts and accessories catalog at CentralBoiler.com/pdf/catalog-parts.pdf

What Central Boiler owners say.

“Our new Central Boiler system is without a doubt the finest wood burning system we have ever had the pleasure of using. The ease of operation, the efficiency, safety and the end result of a steady, dependable heat source provided by our Central Boiler stove surpass anything we have encountered in the past 50 years of wood burning as a heat source.”

- Justin, MN



“I installed a Central Boiler 2 years ago. I heat a 2,500 square foot farm house and heat water for a family of 6. I haven't used a drop of fuel oil since and have even turned off the breaker to the water heater.”

- Lee, MI

“I think that the Central Boiler should be rated a 12 on a 1 out of 10. This is such a wonderful product, no home should be without one.”

- David, OH

“I have been an owner of a Central Boiler since 1992. It has been a great money saver over these many years.”

- Randal, MN

“I recently bought an E-Classic, when the heater arrived I was skeptical that it could heat my entire house! My home is 8,000 plus square feet, well I'm happy to say I was wrong! This thing is amazing! I was on heating oil, and in the dead of winter I was burning about \$1,600 a month in heating oil and propane to heat my house and hot water! I now have more hot water than I know what to do with! And my cost savings are out of this world! I'm going through a cord of wood a week at \$125 a cord so that's \$500 per month compared to the \$1,600 I was spending! I know this sounds too good to be true but it is!”

- Thad, AK

“The best decision I ever made was purchasing my Central Boiler.”

- Matt, MI

“We purchased our Central Boiler last December and we love it! I sometimes find myself saying I wish I had it 10 years ago. Thanks.”

- Barry, TN



“This is my second winter with the Central Boiler and my only regret is that I didn't buy it sooner.”

- David, IL



“I load it once a day and forget about it. It is so much more convenient than having to constantly load the indoor wood burner and I am using about half the wood. I am more at ease with the fire outside away from the house along with the dust, bugs and ash. It has also been nice not having to hear the propane hot water heater run at all. The unit is nicely constructed and blends in with the surroundings out in the yard.”

- Lucas, NC

“This is the fourth year I have owned my Central Boiler and I have to say, it may very well be the best investment I have ever made. The furnace has paid for itself. I continue to be impressed with the quality and efficiency of the Central Boiler product, the simplicity of maintenance, and the excellent dealer support I receive. I have recommended your product to many people and will continue to do so, as I truly believe it is superior to your competitors.”

- John, WV

Read, watch and hear more at CentralBoiler.com

E-Classic Model Lineup



E-CLASSIC E 1450 E-CLASSIC 1450 Ignition Ready E-Classic 1450 is U.S. EPA Certified

- Firebox Volume - 15 cubic ft
- Firebox Length - 32"
- Door - 18"W x 18"H
- Water Capacity - 200 gal.
- Weight - 2,110 lbs
- One set of 1-1/4" Supply and Return Ports
- One set of 3/4" Supply and Return Ports

Included with outdoor furnace - Water Test Kit, Cleaning Rod, Scraper Tool, Ground Rod Kit, Heat Exchanger Scraper and two 4-foot chimney sections

Furnace Options and Accessories:

- FireStar XP
- Gas-fired Wood Ignition

E-CLASSIC 3250 Ignition Ready TITANIUM SERIES E-Classic 3250 is U.S. EPA Certified

- Firebox Volume - 32 cubic ft
- Firebox Length - 40"
- Door - 22.5"W x 28.5"H
- Water Capacity - 410 gal.
- Weight - 2,508 lbs
- One set of 1-1/4" Supply and Return Ports
- Two sets of 3/4" Supply and Return Ports

Included with outdoor furnace - Water Test Kit, Cleaning Rod, Scraper Tool, Ground Rod Kit, Heat Exchanger Scraper and two 4-foot chimney sections

Furnace Options and Accessories:

- FireStar XP
- Gas-fired Wood Ignition

Four color combinations to complement your landscape



Realtree™ Camo and Bronze

Green and Bronze

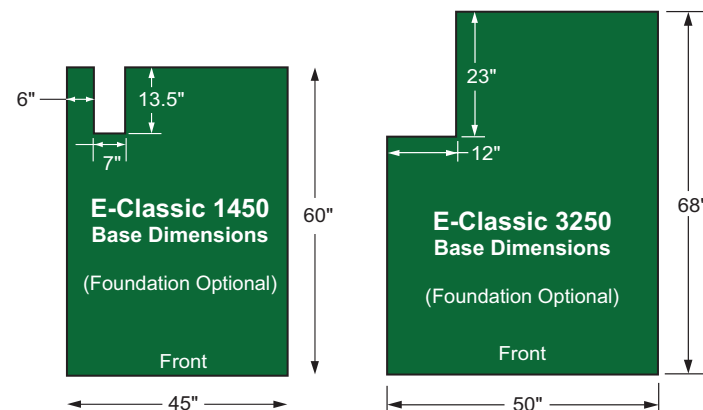
Charcoal and Bronze

Taupe and Bronze

Color selections are close representations but are limited due to print variations.

Foundation Dimensions

Furnace must be installed on a non-combustible surface or foundation that incorporates an enclosure that will prevent supply and return lines from any possible exposure to sunlight, fire, or physical damage that may be caused by an occurrence outside the furnace enclosure.



Choose the right Central Boiler outdoor wood furnace for your application.

The Best Way to Size Your Furnace – Using Previous Heating History Including Water Heater

Fuel Type	Fuel Oil	Propane	Natural Gas	Electricity	Wood†
Units	gallons	gallons	cubic feet, therms	kilowatts	cords
Units per Month					
Multiplier	x 1.18	x 0.78	x 0.0087/cu.ft x 0.87/therm	x 0.037	x 150
Sizing Value					

If you have New, Well-Insulated Buildings^{††}

New well-insulated buildings with R28 walls, R40 ceilings, insulated basement walls. Normal sizing allows for one picture window and one patio door. Calculation does not allow for extremely large glass or air exchange heat losses. Buildings that are not well insulated are not applicable in this calculation. Use previous heating history to determine sizing.

We recommend you complete a heat loss estimate (e.g., Hydronics Institute - form 1504WH).

Total sq. ft.	
Multiplier	x 0.06
Total Sizing Value	

Total Sizing Value

Compare your Total Sizing Value to the Suggested Sizing Range for the listed models.

Furnace	Suggested Sizing Range
E-Classic 1450	0-475
E-Classic 3250	475-1800*

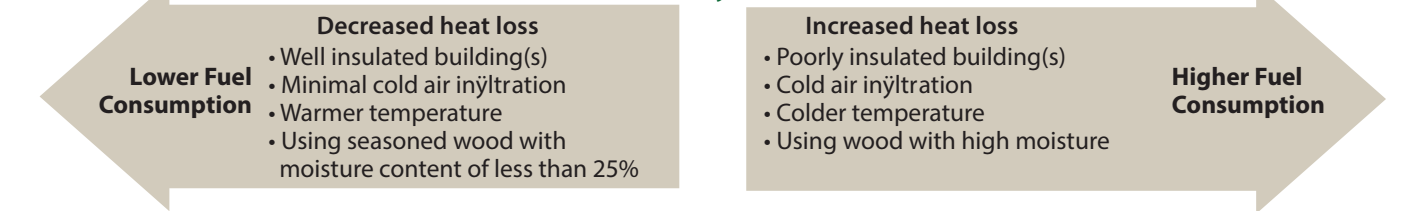
† Full cords of medium to high-quality wood.

†† Improperly insulated radiant slab heating can dramatically affect sizing requirements and heat load.

Be sure to consult your dealer when sizing. Previous heating efficiencies and heat loss need to be considered when sizing a furnace. This is only a guideline.

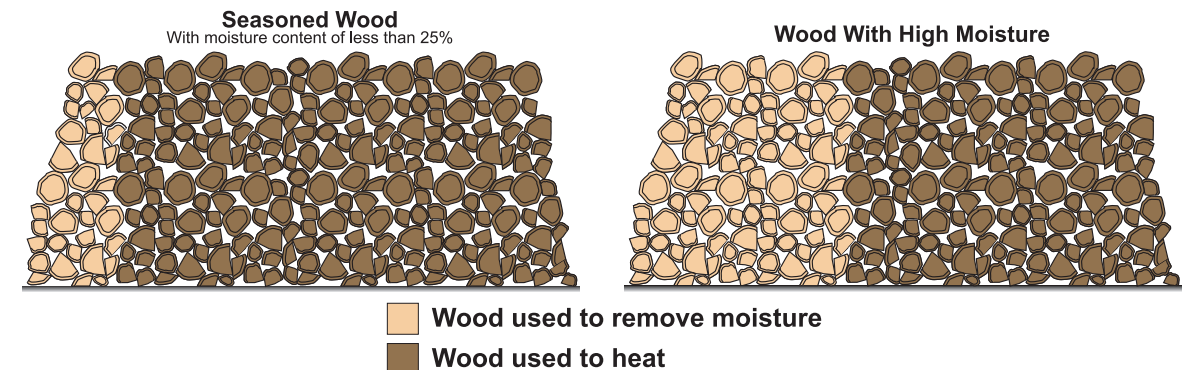
This sizing worksheet calculation estimates the existing fossil fuel (heating oil, propane, natural gas) heating equipment performing at 75% efficiency.

Factors that affect your fuel burn rate



BURN LESS WOOD WITH SEASONED WOOD

Btu's Lost when Burning High Moisture Content Wood



The difference between a full load of 25% moisture wood and 50% moisture wood is up to six gallons of water.

LEADERS IN PRODUCT QUALITY, DESIGN AND INNOVATION

Central Boiler traces its roots back to 1984 in a workshop just south of Greenbush, Minnesota. There, a single idea and some welded pieces of metal would grow into a company that is recognized today as North America's largest manufacturer of outdoor furnaces. The company's innovations and patents come from people who take a little more time, pay a little more attention and go a little further to make sure that every Central Boiler product is ready to meet the demands of the real world.

AUTHORIZED CENTRAL BOILER DEALERS LOCATED ACROSS THE U.S. AND CANADA

When you're looking for a wood heating system, a Central Boiler dealer is there to answer questions, provide you with literature about Central Boiler outdoor wood furnaces and help you choose the model right for your heating needs.

To locate a Central Boiler dealer in your area, visit the dealer locator at **CentralBoiler.com**.

**Check out Central Boiler's complete
line of products at CentralBoiler.com.**

The E-Classic 1450 and 3250 are U.S. EPA Certified.

Using wood as a heating fuel is endorsed by the U.S. Forestry Service.

20502 160th Street • Greenbush, MN 56726

(800) 248-4681 or (218) 782-2575

CentralBoiler.com

© 2018 Central Boiler

® TM Trademarks of Central Boiler, Inc.

Printed in the United States 5/18

For the maximum performance and life of your furnace, always insist on using Central Boiler authorized system parts and accessories.

See Owner's Manual for proper chimney height and installation. Minimum chimney height is determined by proximity to other buildings. Consider location and direction smoke may travel with prevailing winds before installing your furnace.

Content of this brochure is information in possession of Central Boiler at the time of the design of this publication and may not represent what was previously manufactured. Product specifications and appearance subject to change.

Must be installed in accordance with all applicable codes and regulations. Operating an outdoor furnace may not be suitable to some individuals' abilities or lifestyles. Be sure to review the Owner's Manual for the appliance with your dealer. Ask your dealer about Outdoor Furnace Best Burn Practices.

*European EN 303-5 efficiency results for the E-Classic E 1450 are rounded to the nearest whole number. Results vary based on wood species, wood quality, wood quantity and moisture content. The efficiency of other models varies.

p/n 9000625 Rev. A



FREE 25 YEAR LIMITED WARRANTY

A free 25 year limited warranty is available if your E-Classic is registered at the time of purchase. Central Boiler leads the industry with its commitment to stand behind its outdoor wood furnaces. See Warranty Registration form for details.

Your Authorized Central Boiler Dealer

Company Name: MMT Heating & Cooling

Company Address: 5501 Miller Trunk Hwy, Duluth, MN 55811

Phone Number: 218-729-1585